

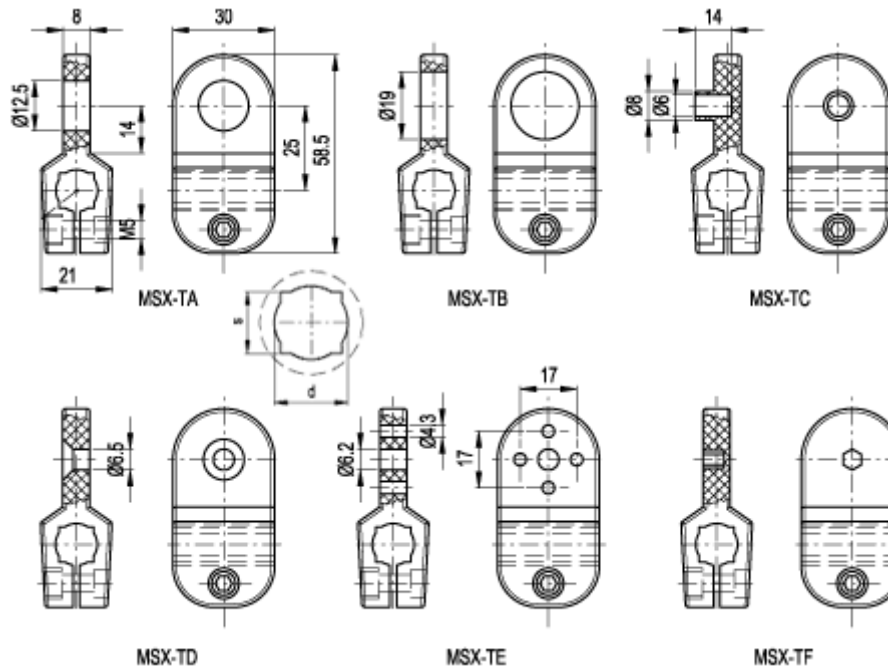
Data Sheet



Article number: 2310440147

Description: E+G MSX Device clamp
MSX.56-TE-8-10

Measures



d	= 10
Rotation resistance	= 4
s	= 8
Torque (N m)	= 900
Type	= MSX.56-TA-8-10